

4

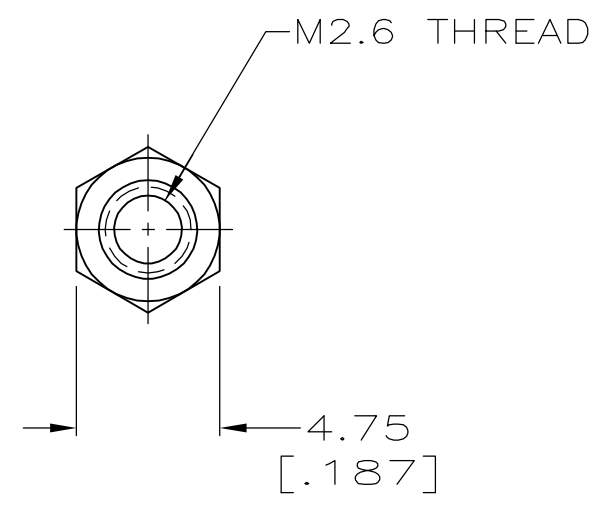
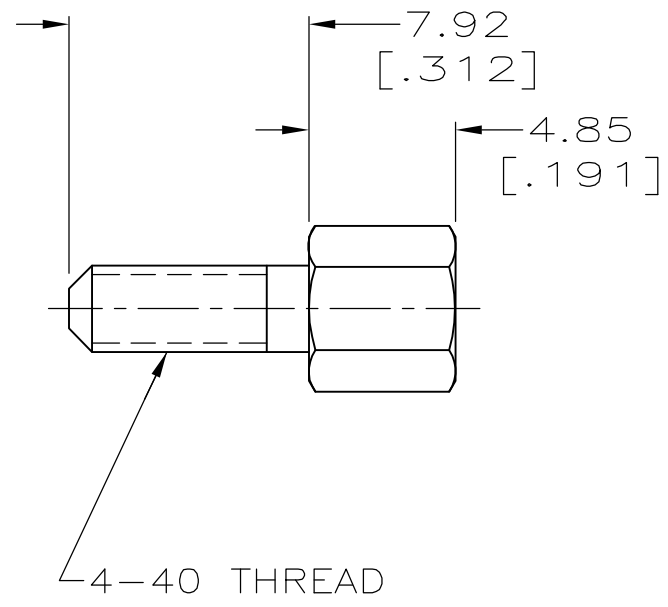
3

2

1

THIS DRAWING IS UNPUBLISHED. RELEASED FOR PUBLICATION  
 © COPYRIGHT - BY TYCO ELECTRONICS CORPORATION. ALL RIGHTS RESERVED.

LOC	DIST	REVISIONS					
GP	00	P	LTR	DESCRIPTION	DATE	DWN	APVD
		0		RELEASED PER EC OS13-0207-05	30JUN05	RR	JG



1 ZINC PLATED .000200-.000400 THICK,  
 CLEAR CHROMATE COATING.

5749765-3  
 PART NO

THIS DRAWING IS A CONTROLLED DOCUMENT.		DWN R.RICHARDSON 30JUN05	Tyco Electronics Corporation Harrisburg, Pa 17105-3608			
DIMENSIONS: INCHES		CHK C.ROHDE 30JUUN05				
		APVD M.WALMSLEY 30JUN05	NAME SCREWLOCK, M2.6 FEMALE, AMPLIMITE			
TOLERANCES UNLESS OTHERWISE SPECIFIED: 2' 0 PLC ± - 1 PLC ± - 2 PLC ± 0.13 [.005] 3 PLC ± - 4 PLC ± - ANGLES ± -		PRODUCT SPEC -	APPLICATION SPEC -			
MATERIAL CARBON STEEL		FINISH 1	SIZE A3	CAGE CODE 00779	DRAWING NO C-5749765	RESTRICTED TO -
CUSTOMER DRAWING			SCALE 4:1	SHEET 1 OF 1	REV 0	